



EKOMAK

*Endüstriyel Kompresör ve Makina
Sanayi ve Ticaret A.Ş.*

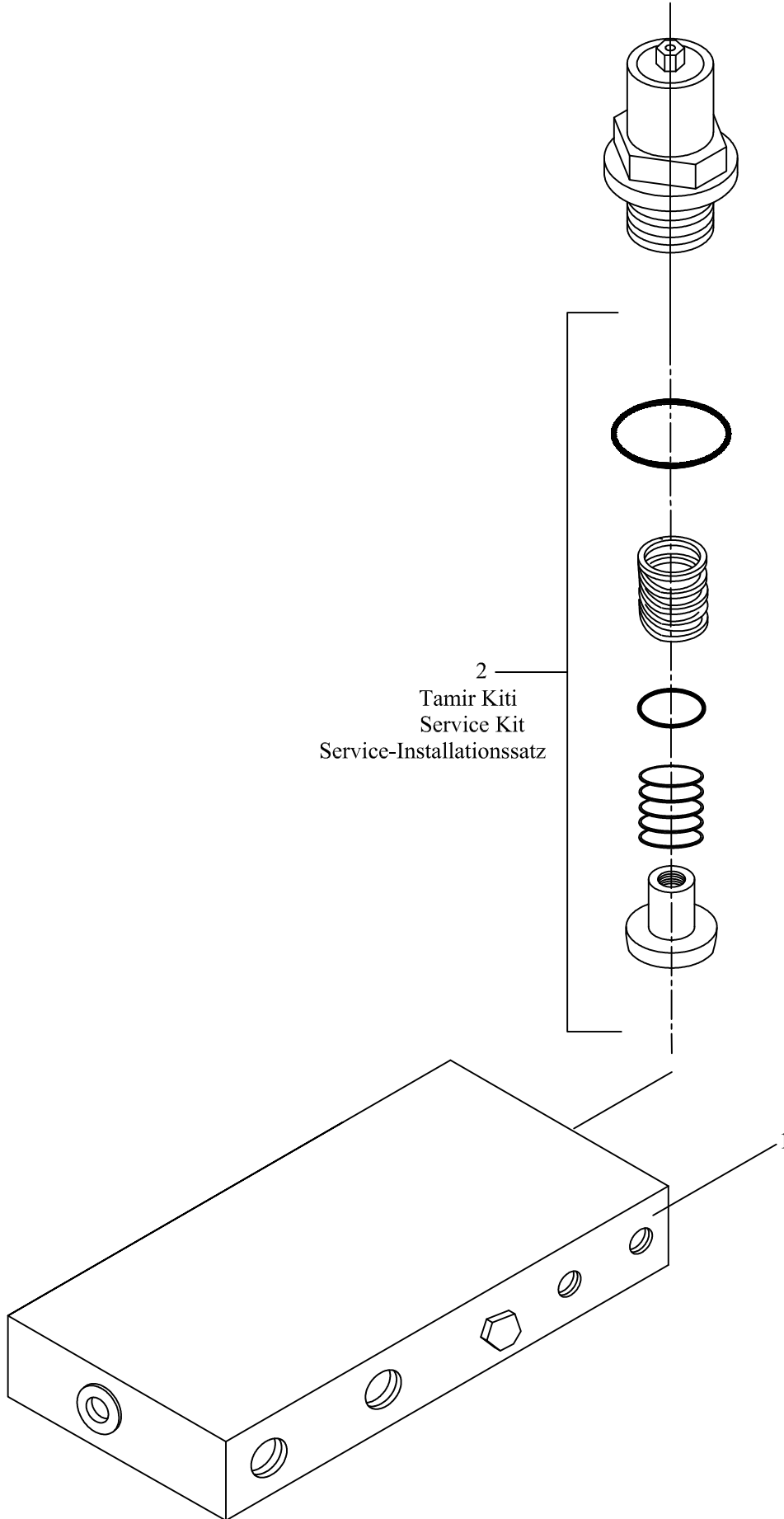
ENDÜSTRİYEL VİDALI HAVA KOMPRESÖRÜ

INDUSTRIAL AIR COMPRESSOR

**DMD SERİSİ /DMD SERIES
DMD 55-75**

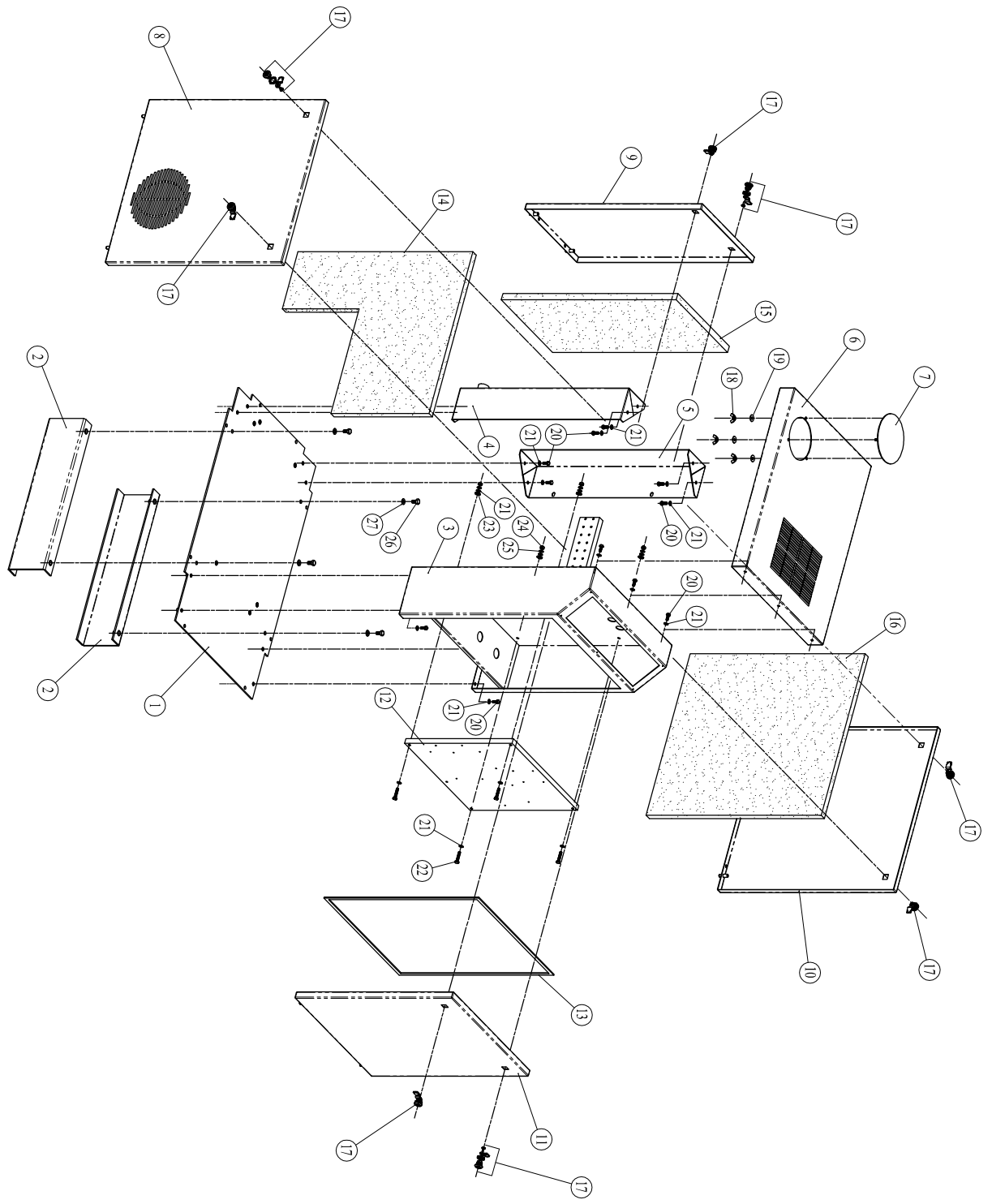
**PARÇA LİSTESİ/PARTS LIST
GELECEK BAŞVURULAR İÇİN
SAKLAYINIZ.
KEEP FOR
FUTURE
REFERENCE**

MİNİMUM BASINÇ VALFİ / MINIMUM PRESSURE VALVE / MINIMAL DRUCKVENTIL



MİNİMUM BASINÇ VALFİ / MINIMUM PRESSURE VALVE / MINIMAL DRUCKVENTIL

NO	PARÇA ADI	DESCRIPTION	BEZEICHNUNG	PARÇA NO/PART NO
1	minimum basınç valfi	minimum pressure valve	minimal druckventil	MKN000964
2	tamir kiti	service kit	Service-Installationsatz	MKN002311

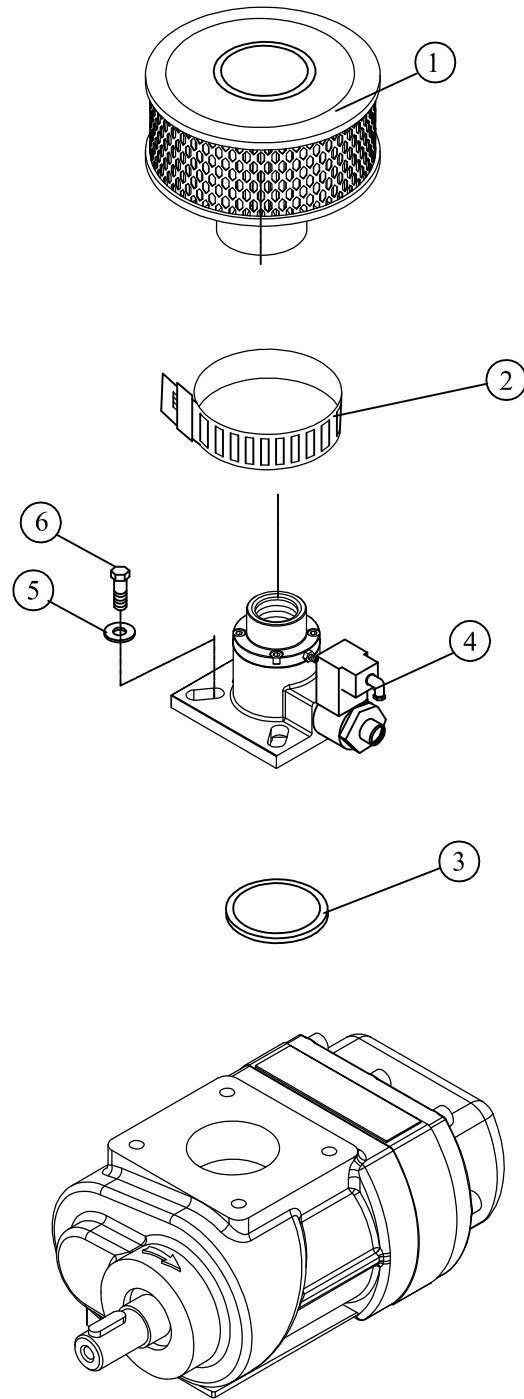


AKUSTIK KABIN / ACOUSTIC ENCLOSURE / AKUSTISCHE SCHUTZVERKLEIDUNG

AKUSTİK KABİN / ACOUSTIC ENCLOSURE / AKUSTISCHE SCHUTZVERKLEIDUNG

NO	PARÇA ADI	DESCRIPTION	BEZEICHNUNG	PARTS NO
1	Kasa Tabanı	Base Sheet	Gehäuseboden	IML000146
2	Alt Ayak	Stand Profile	Untere Fuss	IML000963
3	Elektrik Panosu	Electric Box	Schaltschrank	IML000570
4	Sol Arka Direk	Left Rear Pole	Linke Hintere Pfosten	IML000584
5	Sağ Arka Direk	Right Rear Pole	Rechte Hintere Pfosten	IML000582
6	Üst Kaporta (DMD 55- 75)	Roof Panel (DMD 55- 75)	Obere Maschinenwand (DMD 55- 75)	IML000605
7	Kapama Sacı	Cover	Deckel	IML000601
8	Emiş Kaportası (Sol Yan Kaporta) (DMD 55- 75)	Inlet Panel (Left Side Panel) (DMD 55- 75)	Ansaugwand (Linke Seitenwand) (DMD 55- 75)	IML000615
9	Arka Kaporta	Real Panel	Hintere Wand	IML000589
10	Sağ Yan Kaporta	Right Side Panel	Rechte Seitenwand	IML000591
11	Elektrik Panosu Kapığı	Electric Box Cover	Schaltschranktür	IML000585
12	Pano Sacı	Panel Sheet	Blech, Bedienplatte	IML001809
13	Şerit Conta (3x10 mm)	Rubber Strip	Streifendichtung	IZ000006
14	İzolasyon Süngeri (Emiş Kaportası) (DMD 55- 75)	Sound Insulation Sponge (Inlet Panel) (DMD 55- 75)	Schaum Schalldämmplatte (Ansaugwand) (DMD 55- 75)	202118
15	İzolasyon Süngeri (Arka Kaporta)	Sound Insulation Sponge (Rear Panel)	Schaum Schalldämmplatte (Hintere Wand)	202112
16	İzolasyon Süngeri (Sağ Yan Kaporta)	Sound Insulation Sponge (Right Side Panel)	Schaum Schalldämmplatte (Rechte Seitenwand)	202113
17	Kilit	Lock	Verschluss	IZ000008
18	Kelebek Somun (M6)	Butterfly Nut (M6)	Flügelschraube	BGL000019
19	Pul (M6, Ø18.5x1, Özel)	Washer (M6, Ø18.5x1, Special)	Unterlegscheibe (M6, Ø18.5x1, Spezial)	20P147
20	Cıvata (M6x15)	Bolt (M6x15)	Schraube (M6x15)	BGL000039
21	Pul (M6)	Washer (M6)	Unterlegscheibe (M6)	BGL000092
22	Cıvata (M6x30)	Bolt (M6x30)	Schraube (M6x30)	BGL000040
23	Tırtıklı Pul (M6)	Lock Washer (M6)	Zahnscheibe	20R110
24	Somun (M6)	Nut (M6)	Mutter (M6)	BGL000010
25	Yaylı Pul (M6)	Spring Washer (M6)	Federscheibe	BGL000190
26	Cıvata (M8x15)	Bolt (M8x15)	Schraube (M8x15)	BGL000062
27	Pul (M8)	Washer (M8)	Unterlegscheibe (M8)	BGL000094

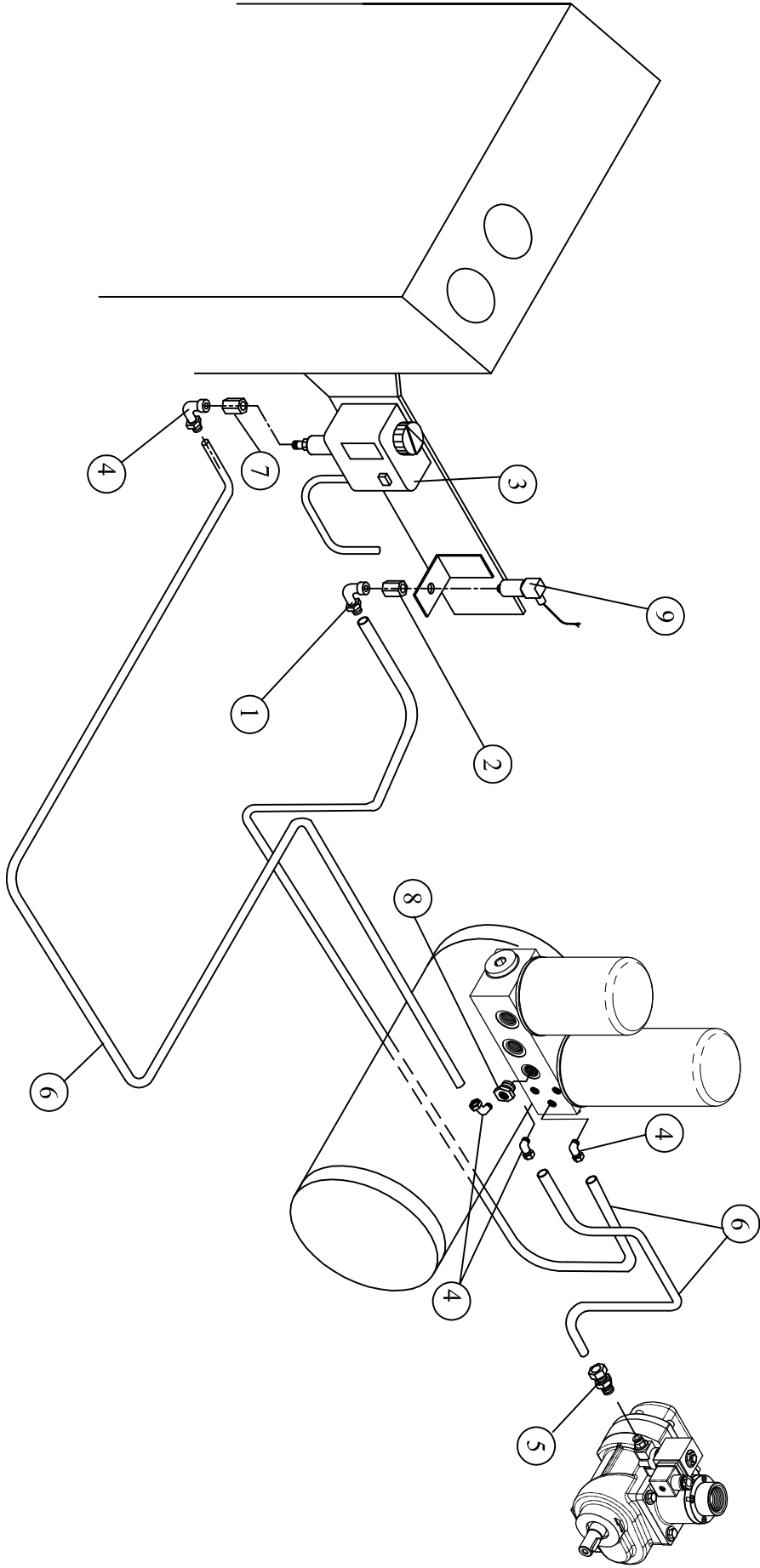
HAVA EMİŞ SİSTEMİ / AIR INLET SYSTEM / LUFTEINLAUFSYSTEM



HAVA EMİŐ SİSTEMİ / AIR INLET SYSTEM / LUFTEINLAUFSYSTEM

NO	PARÇA ADI	DESCRIPTION	BEZEICHNUNG	PARÇA NO/PARTS NO
1	hava filtre elemam	element, air filter	Luftfilterelement	MKN000980
2	kelepçe	clamp	Klemme	215404-3
3	o ring	o-rings	O-Ringe	245784-5
4	emiŐ valfi	valve, air inlet	Lufteinlaufventil	MKN000951
5	pul,M8 2,5xF8,5xF22	washer,M8 2,5xF8,5xF22	Unterlegscheibe ,M8 2,5xF8,5xF22	BGL000093
6	cıvata, M8x25	capscrew, M8x25	Schraube , M8x25	BGL000069

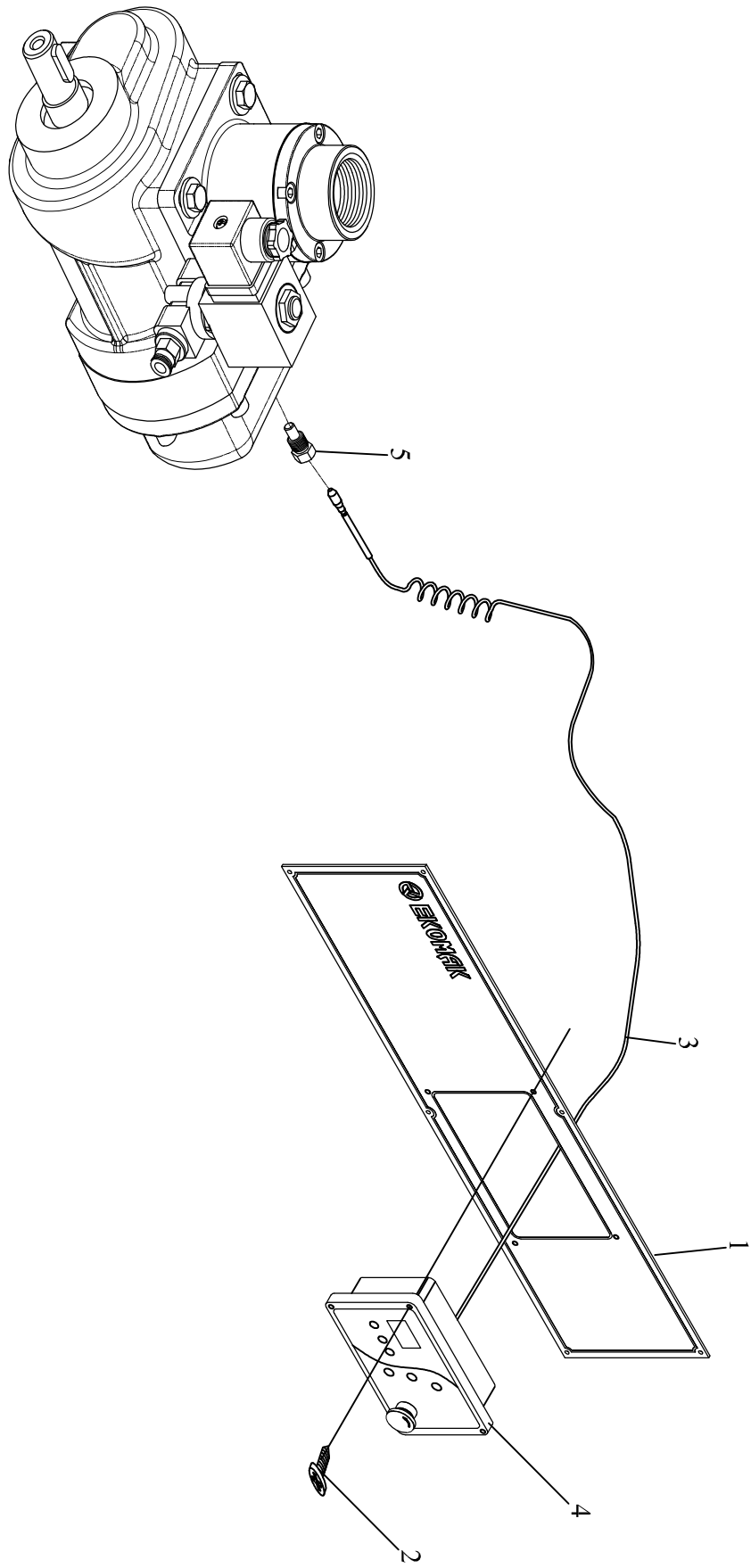
KONTROL SYSTEM / CONTROL SYSTEM / STEUERUNGSSYSTEM TEILE



KONTROL SİSTEMİ / CONTROL SYSTEM / STEUERUNGSSYSTEM TEILE

NO	PARÇA ADI	DESCRIPTION	BEZEICHNUNG	PARÇA NO /PART NO
1	sıkmalı dirsek, 1/4"-Ø6	connector hose1/4" - Ø6	Schlauchstecker , 1/4"-Ø 6	BGL000419
2	manşon 1/4"	manchon, 1/4"	Muffe, 1/4"	BGL000435
3	emniyet presostatı	switch, pressure-maximum pressure	Sicherheitsdruckschalter	ELK000206
4	sıkmalı dirsek, 1/8"-Ø6	connector hose1/8" - Ø6	Schlauchstecker , 1/8"-Ø 6	BGL000418
5	sıkmalı düz rekor, 1/2" - Ø6	connector hose1/2" - Ø6	Schlauchstecker , 1/2"-Ø 6	BGL000416
6	polyamid hortum , Ø6	hose , Ø6	Schlauch , Ø 6	MKN001068
7	manşon 1/8"	manşon 1/8"	Muffe 1/8"	BGL000436
8	redüksiyon 1/8"-3/8"	reducer, 1/8" -3/8"	reduzierstück, 1/8"-3/8"	BGL000372
9	basınç sensörü	sensor, pressure	Druckfühler	ELK000201

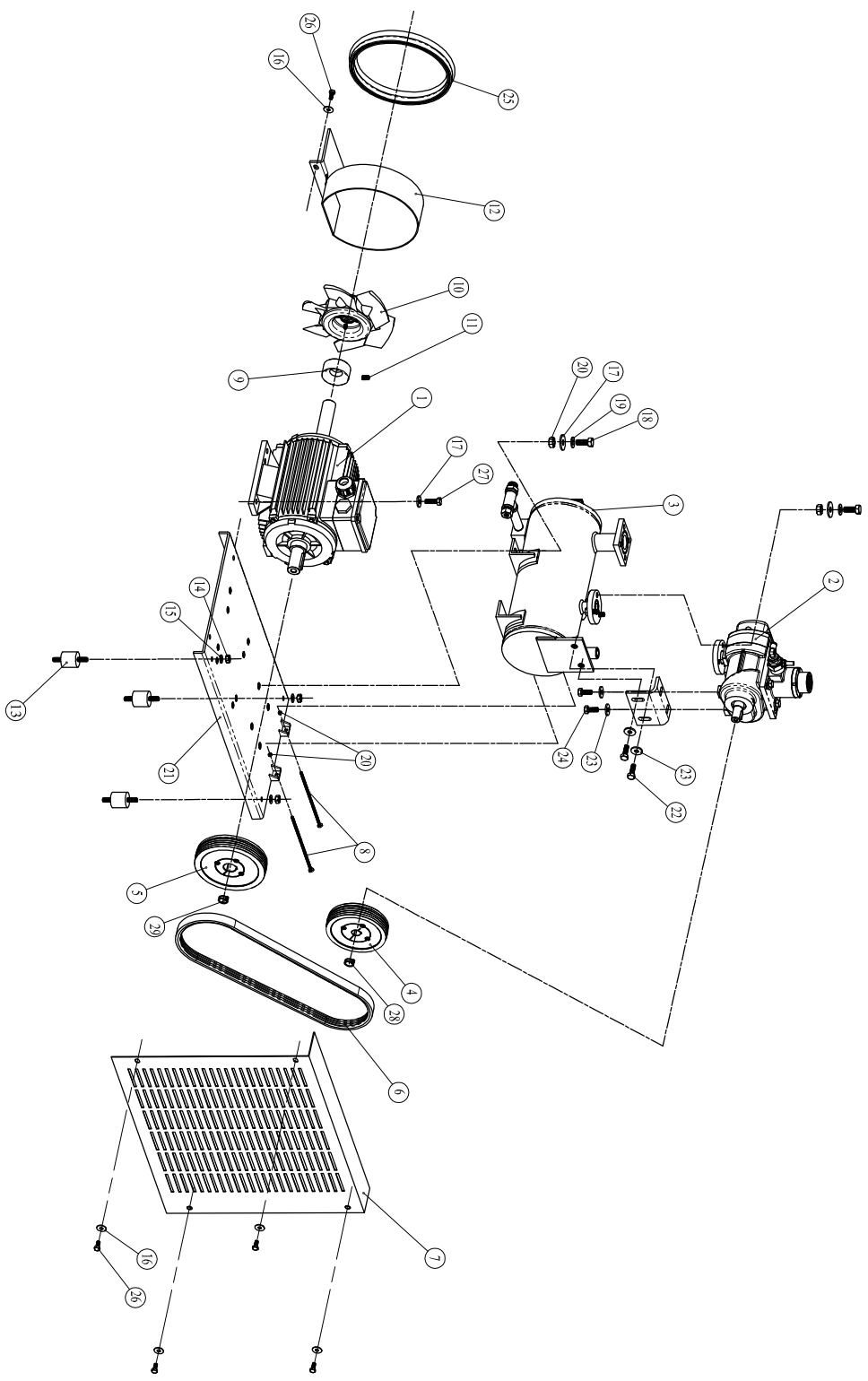
KUMANDA PANEL GRUBU / INSTRUMENT PANEL GROUP / SCHALTAFEL (P1 PANEL)



KUMANDA PANEL GRUBU / INSTRUMENT PANEL GROUP / SCHALTAFEL (PI PANEL)

NO	DESCRIPTION	DESCRIPTION	BEZEICHNUNG	PARÇA NO / PARTS NO
1	panel etiketi (İng.)	ticket, panel	Schalttafelschild	2250871-5
2	çivata	capscrew	Schraube	BGL000471
3	sensör kablosu(sensör dahil)	sensor cable (sensor included)	Sensorkabel (Sensor im Lieferumfang enthalten)	200701-27
4	kontrol paneli	panel, control	Schalttafel	ELK000196
5	müşür yuvası MSC 60	termocouple connection	Thermoelement Anschluß	BGL000219
	müşür yuvası FS26	termocouple connection	Thermoelement Anschluß	BGL000221

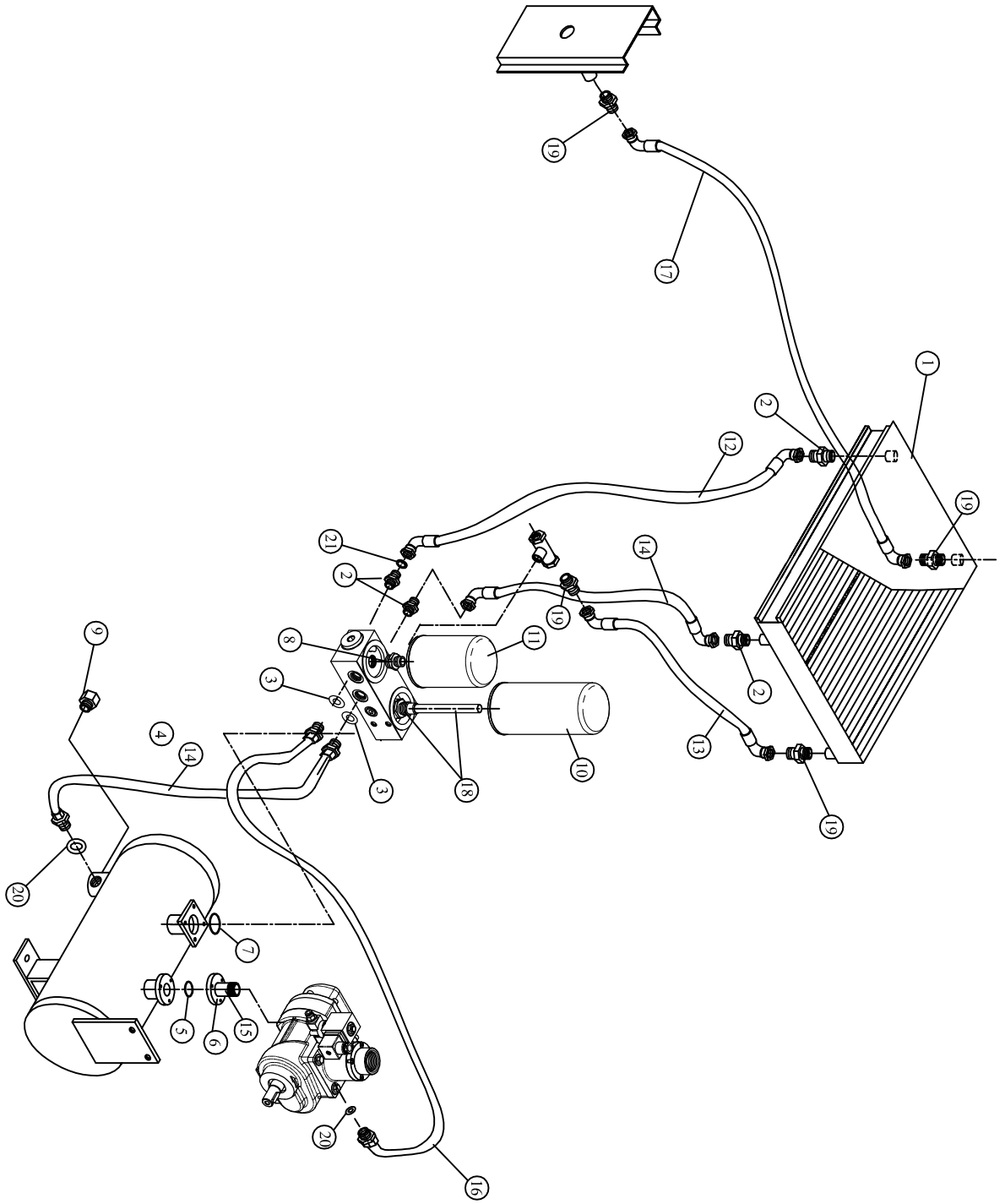
MOTOR ve VIDA SISTEMI MOTOR and COMPRESSOR SYSTEM / MOTOR und KOMPRESSORBLOCK



MOTOR ve VIDA ÜNİTESİ / MOTOR and COMPRESSOR UNIT / MOTOR und KOMPRESSORBLOCK

NO	PARÇA ADI	DESCRIPTION	BEZEİCHNUNG	PARÇA NO/PARTS NO
1	elektrik motoru (S-DMD 55)	Electric motoru (S-DMD 55)	Motor ,elektrisch (S-DMD 55)	MKN000124
	elektrik motoru (S-DMD 75)	Electric motoru (S-DMD 75)	Motor ,elektrisch (S-DMD 75)	MKN000125
2	vida (MSC 60)	unit, compressor (MSC 60)	Schraubenkompressorblock (MSC 60)	MKN000266
	vida (FS 14)	unit, compressor (FS 14)	Schraubenkompressorblock (FS 14)	MKN001519
3	depo	sump,tank	Sumpfbehälter	IML000021
4	Vida kasnağı 125x4 (10 BAR-DMD 55)	pulley, air end 125x4 (10 BAR-DMD 55)	Motorriemenscheibe 125x4 (10 BAR-DMD 55)	MKN000322
	Vida kasnağı 105x4 (13 BAR-DMD 75)	pulley, air end 105x4 (13 BAR-DMD 75)	pulley, air end 105x4 (13 BAR-DMD 75)	MKN000319
	Vida kasnağı 90x4 (10BAR-DMD 75)	pulley, air end 90x4 (10BAR- DMD 75)	pulley, air end 90x4 (10BAR- DMD 75)	MKN000316
	Vida kasnağı 83x4 (8BAR- DMD 75)	pulley, air end 83x4 (8BAR- DMD 75)	pulley, air end 83x4 (8BAR- DMD 75)	MKN000315
5	Motor kasnağı 190x4 (10BAR-DMD 55-75)	pulley, main motor 190x4 (10BAR-DMD 55-75)	Motorriemenscheibe 190x4 (10BAR-DMD 55-75)	MKN000328
	Motor kasnağı 200x4 (8BAR- DMD 75)	pulley, main motor 200x4 (8BAR- DMD 75)	Motorriemenscheibe 200x4 (8BAR- DMD 75)	MKN000329
6	kavis, 4x1041	belt, 4x1041	Riemen, 4x1041	MKN000605
7	kavis muhafazası	guard, belt	Riemenschutz	IML000952
8	Gergi saplaması M10x130	stud, M10x 130	Gewindebolzen , M10x130	BGL000453
9	Fan Adaptörü (S - DMD 55)	Fan Adaptor (S - DMD 55)	Lüfter Adapter (S - DMD 55)	MKN001030
	Fan Adaptörü (S - DMD 75)	Fan Adaptor (S - DMD 75)	Lüfter Adapter (S - DMD 75)	BGL000361
10	fan (komple) (DMD 55)	fan (DMD 55)	Lüfter (DMD 55)	MKN000896
	fan (komple) (DMD 75)(RT)	fan (DMD 75) (RT)	Lüfter (DMD 75) (RT)	MKN000898
11	civata, M6x10 (DMD 75)	capscrew, M6 x 10 (DMD 75)	Schraube , M6x10 (DMD 75)	BGL000464
12	Fan Boğazı (DMD 55)	Fan Cowl (DMD 55)	Lüftergehäuse (DMD 55)	MKN001339
	Fan Boğazı (DMD 75)(RT)	Fan Cowl (DMD 75)(RT)	Lüftergehäuse (DMD 75) (RT)	MKN001340
13	Titreşim Takozu	Anti-vibration Mounting	Schwingungisolator	MKN001061
14	Somun (M8)	Nut (M8)	Mutter (M8)	BGL000018
15	Pul (M8)	Washer (M8)	Unterlegscheibe (M8)	BGL000094
16	Pul, M6	Washer M6	Unterlegscheibe M6	BGL000092
17	Pul 2.5xΦ10.5xΦ30	Washer 2.5xΦ10.5xΦ30	Unterlegscheibe 2.5x10.5xΦ30	BGL000106
18	Civata (M10x25)	Bolt (M10x25)	Schraube (M10x25)	BGL000051
19	Pul (M10)	Washer (M10)	Unterlegscheibe (M10)	BGL000096
20	Somun (M10)	Nut (M10)	Mutter (M10)	BGL000015
21	Ara Şasi	Intermediate Frame	Zwischengestell	IML000921
22	Civata (M8x25)	Bolt (M8x25)	Schraube (M8x25)	BGL000069
23	Pul (M8, Ø22x2.5, Özel)	Washer (M8, Ø22x2.5, Special)	Unterlegscheibe (M8, Ø22x2.5, Spezial)	BGL000093
24	Civata (M8x20)	Bolt (M8x20)	Schraube (M8x20)	BGL000063
25	Fitil Conta	Gasketing, Rubber Profile	Profildichtung	IZ000002
26	Civata (M6x15)	Bolt (M6x15)	Schraube (M6x15)	BGL000039
27	Civata (M10x20)	Bolt (M10x20)	Schraube (M10x20)	BGL000050
28	vida kasnak burcu	pulley, support (air end)	Büchse - Riemenscheibe-Verdichterstufe	MKN000521
29	motor kasnak burcu 4 kw	pulley, support (motor)	Büchse - Motorriemenscheibe	MKN000525
	motor kasnak burcu 5,5 kw	pulley, support (motor)	Büchse - Motorriemenscheibe	MKN000534

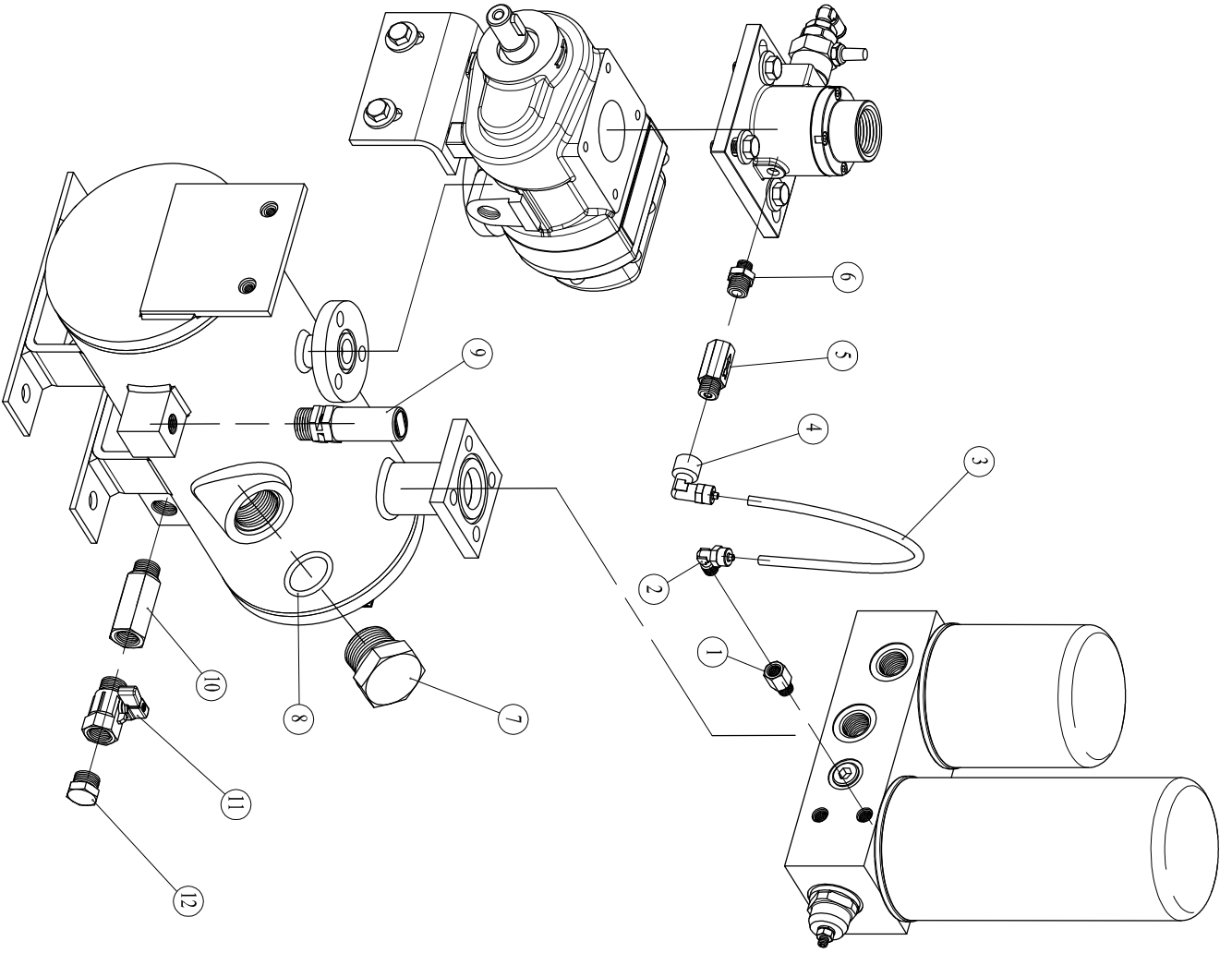
SÖĞÜTMA ve YAĞLAMA SİSTEMİ / COOLING and LUBRICATION SYSTEM (DMD 55-75)



SOĞUTMA ve YAĞLAMA SİSTEMİ / COOLING and LUBRICATION SYSTEM / KÜHL -UND SCMIERSYSTEM TEILE (DMD 55-75)

NO	PARÇA ADI	DESCRIPTION	BEZEICHNUNG	PARÇA NO/PARTS NO
1	radiatör	Cooler, oil-air	Öl -,Luftkühler	MKN000296
2	Nipel, HR 1/2"-3/8"	Niple, HR 1/2"-3/8"	Nippel, HR 1/2"-3/8"	200234
3	süper pul 1/2"	washer,1/2"	Unterlegscheibe,1/2"	20P177
4	hidrolik devre borusu	hydraulic circuit pipe	Hydraulikkreis Rohr	MKN001095
5	o-ring Ø22,4x2,6	o-ring Ø22,4x2,6	o-ring Ø22,4x2,6	BGL000251
6	flaş	flange	flange	MKN001120
7	o-ring 77x85xØ45x2	o-ring 77x85xØ45x2	o-ring 77x85xØ45x2	BGL000286
8	yağ filtre nipel, M24,4*20 W	Nipple, oil filter, M24,4*20 W	Ölfilternippel, M24,4x20 W	200222-18
9	müşir yuvası 1/8"-3/8"	termocouple connection 3/8"-1/8"	Thermoelement Anschluß 3/8"-1/8"	BGL000219
10	Seperator	Seperator	Ölabscheider	MKN000927
11	yağ filtre elemanı	Element, fluid filter	Ölfilterelement	MKN000937
12	yağ hortumu, 3/8" 90x90-75 cm	Hose, fluid, 3/8" 90x90-75 cm	Luftschlauch, 3/8" 90x90-75 cm	205371-12
13	hava hortumu, 1/2"90x0-65cm	Hose air, 1/2"90x0-65cm	Hose air, 1/2"90x0-65cm	222371-44
14	yağ hortumu, 3/8" 90x90-35 cm	Hose, fluid, 3/8" 90x90-35 cm	Luftschlauch, 3/8" 90x90-35 cm	MKN001656
15	boru	pipe	Rohr	MKN001194
16	hidrolik devre borusu	hydraulic circuit pipe	Hydraulikkreis Rohr	MKN001096
17	hava hortumu, 1/2"90x0-61cm	Hose air, 1/2"90x0-61cm	Hose air, 1/2"90x0-61cm	204351-8
18	kombine blok	block	Block	MKN000964
19	nipel, 1/2-1/2"	nipple, 1/2-1/2"	Nippel, 1/2"-1/2"	BGL000496
20	süper pul 3/8"	washer 3/8"	Unterlegscheibe 3/8"	20P157
21	pul, 1/2"-1,5mm	washer, 1/2"-1,5mm	Unterlegscheibe, 1/2"-1,5mm	BGL000530

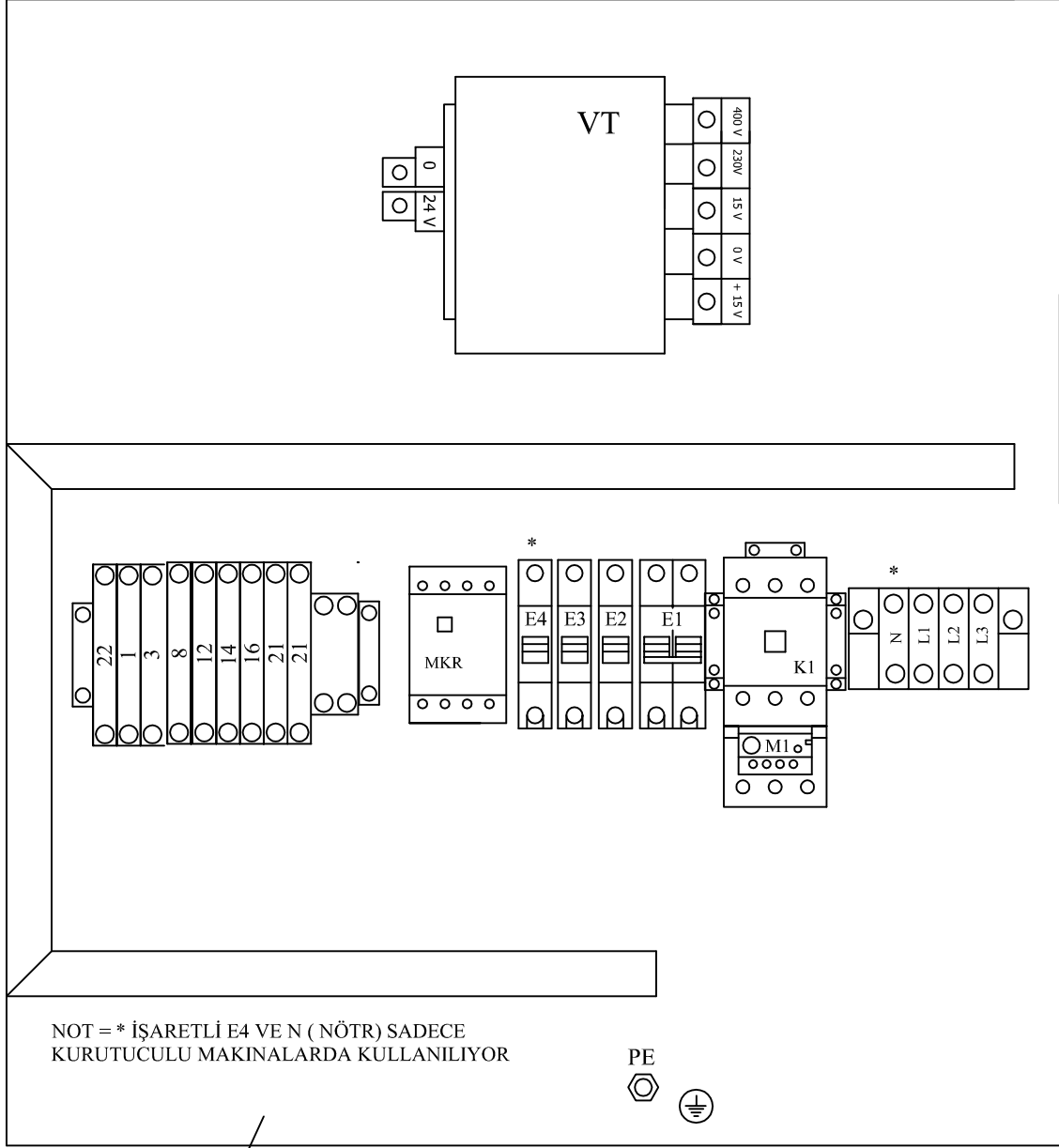
TAHLİYE VE SKAVENÇ SİSTEMİ; DISCHARGE & SCAVENGE SYSTEM;
ÖLRÜCKLAUF SYSTEM



KOMPRESÖR TAHLİYE SİSTEMİ / COMPRESSOR DISCHARGE SYSTEM / ENTLADUNG UND ÖLRÜCKLEITUNG

NO	DESCRIPTION	DESCRIPTION	BEZEICHNUNG	PARÇA NO / PARTS NO
1	lüle, 1/8"-1/8" Ø0,5	adapter, 1/8"-1/8" Ø0,5	aussen-innen nippel, 1/8"-1/8" Ø0,5	BGL000210
2	sıkmalı dirsek rekor, 1/8"-Ø6	connector elbow hose, 1/8"-Ø6	winkelverschraubung, 1/8"-Ø6	BGL000418
3	hortum, Ø6	hose, Ø6	schlauch, Ø6	MKN003564
4	sıkmalı dirsek rekor, 1/4"-Ø6	connector elbow hose, 1/4"-Ø6	winkelverschraubung, 1/4"-Ø6	BGL000423
5	check valf, 1/4"	valve, check, 1/4"	rückschlagventil, 1/4"	MKN001252
6	nipel, 1/4"-1/8"	nipple, 1/4"-1/8"	nippel, 1/4"-1/8"	BGL000516
7	yağ doldurma tapası	oil filter plug	ölfüllschraube	BGL000255
8	o-ring	o-ring	o-ring	BGL000633
9	emniyet ventili, 1/2"	pressure relief valve, 1/2"	sicherheitsventil, 1/2"	MKN001078
10	lüle, 3/8"	adapter, 3/8"	aussen-innen nippel, 3/8"	BGL000202
11	vana, 3/8"	valve, 3/8"	kugelhahn, 3/8"	BGL000243
12	körtapa, 3/8"	plug, 3/8"	stopfen, 3/8"	BGL000259

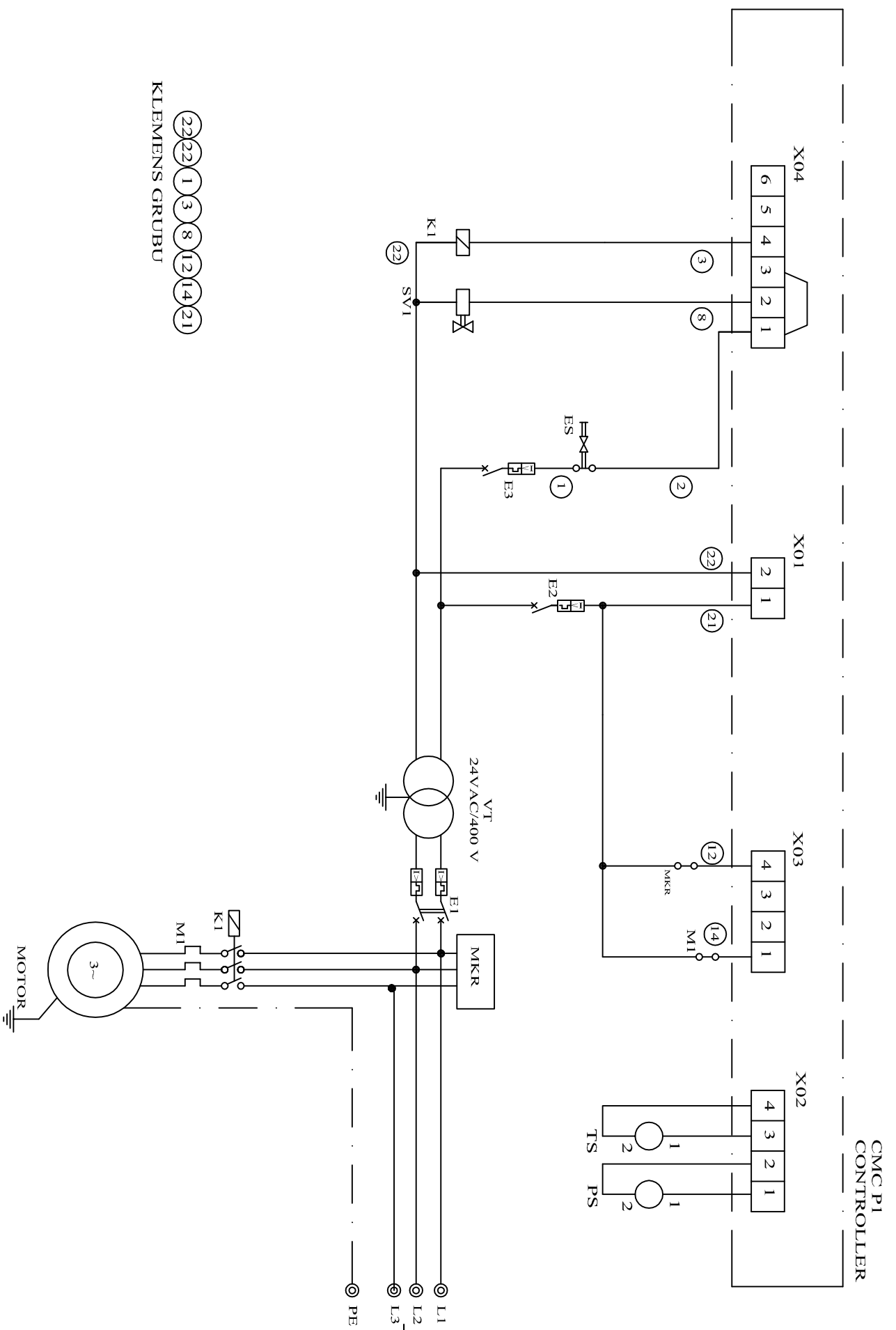
ELEKTRİK KUTUSU / ELECTRIC BOX / SCHALTSCHRANK



ELEKTRİK KUTUSU / ELECTRIC BOX / SCHALTSCHRANK

NO	PARÇA ADI	DESCRIPTION	BEZEICHNUNG	PARÇA NO/PART NO
I	elektrik pano sacı	sheet, electrical box	Schaltischranksblech	ELK001986
L1-L2-L3	giriş klemensi	terminals, energy input	Klemmen Stromeingang	ELK000418
N*	Nötr girişi	neutral input connector	Neutral - Eingangsklemme	ELK000445
E1	sigorta, 2x1A	circuit breaker, 1a 2 pole	Sicherung 2 x1A	ELK000089
E2	sigorta, 1x1A	circuit breaker, 1a 1 pole	Sicherung 1 x 1A	ELK000109
E3-E4*	sigorta, 1x2A	circuit breaker, 1a 2 pole	Sicherung 2 x1A	ELK000089
M1	ana motor termiği DMD 55	relay, overload-main motor	Überlastrelais,Hauptmotor	ELK000838
	ana motor termiği DMD 75	relay, overload-main motor	Überlastrelais,Hauptmotor	ELK000049
K1	kontakör DMD 55	contactor	Kontaktgeber	ELK000041
	kontakör DMD 75	contactor	Kontaktgeber	ELK000006
VT	trafo	transformer	Transformator	ELK000131
VT*	trafo	transformer	Transformator	ELK000122
VT*	trafo	transformer	Transformator	ELK000121
MKR	motor koruma rölesi	voltage monitoring relay-three phase	Motorschutzrelais	ELK000417

* OPS



(22)(22) (1)(3)(8)(12)(14)(21)
 KLEMENS GRUBU

2007		Proje/Project		DMD 55-75		Panel		P1	
Design by	Tarih/Date	Ismi	Resim Adı/Title	ELEKTRİK SEMASI		P1		ELKS-DMD5575-Q/R1	
Drawn by	03.07	M.CAN							
Checked by		SURAK							
Approved by									

1 2 3 4 5 6 7 8 9 10
 A B C D E F

ELEKTRİK ŞEMASI / ELECTRIC WIRING DIAGRAM / ELEKTRISCHER SCHALTPLAN

NO	PARCA ADI	DESCRIPTION	BEZEICHNUNG	PARCA NO/PART NO
L1-L2-L3	giriş klemensi	terminals, energy input	Klemmen Stromeingang	ELK000418
E1	sigorta, 2x1A	circuit breaker, 1a 2 pole	Sicherung 2 x1A	ELK000089
E2	sigorta, 1x2A	circuit breaker, 1a 2 pole	Sicherung 1 x 2A	ELK000089
E3-E4*	sigorta, 1x2A	circuit breaker, 1a 2 pole	Sicherung 1x2A	ELK000089
M1	ana motor termiği DMD 55	relay, overload-main motor	Überlastrelais,Hauptmotor	ELK000838
	ana motor termiği DMD 75	relay, overload-main motor	Überlastrelais,Hauptmotor	ELK000049
K1	kontaktör DMD 55	contactor	Kontaktgeber	ELK000041
	kontaktör DMD 75	contactor	Kontaktgeber	ELK000006
VT	trafo	transformer	Transformator	ELK000131
VT*	trafo	transformer	Transformator	ELK000121
VT*	trafo	transformer	Transformator	ELK000122
MKR	motor koruma rölesi	voltage monitoring relay-three phase	Motorschutzrelais	ELK000417
ES	Acil durdurma butonu	Button, emergency stop	Not - Aus Taste	ELK000384
PS	basınç sensörü	sensor, pressure	Druckfühler	ELK001317
TS	Isı sensörü	temperature sensor	Reset-Taste	ELK000385
SV	solenoid valf	valve, solenoid	Magnetventil	-

* OPS.